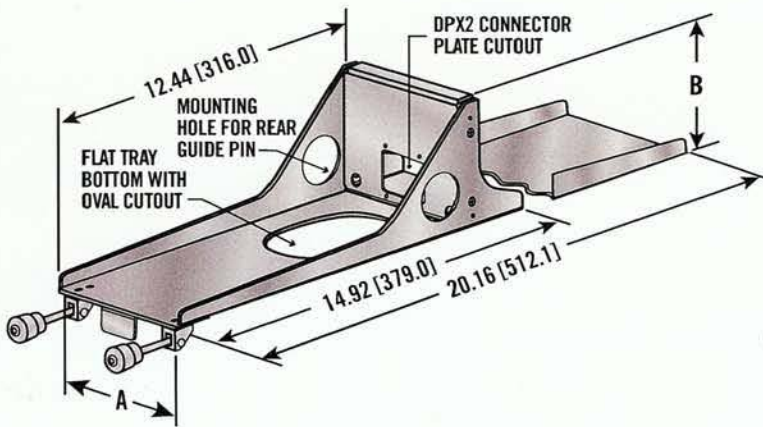
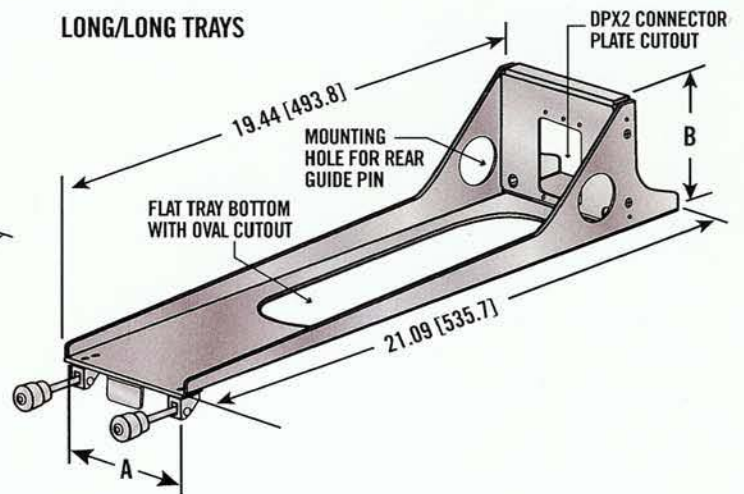




SHORT/ SHORT & SHORT/LONG TRAYS



LONG/LONG TRAYS



SIDE VIEW



TOP VIEW



| ATR SIZE | A (INSIDE DIMENSION) | B SHORT | B MEDIUM | B TALL |
|----------|----------------------|-------------|--------------|--------------|
| 1/4 | 2.39 [60.7] | 3.38 [85.9] | 4.38 [111.3] | 6.38 [162.1] |
| 3/8 | 3.69 [93.7] | 3.38 [85.9] | 4.38 [111.3] | 6.38 [162.1] |
| 1/2 | 5.01 [127.2] | 3.38 [85.9] | 4.38 [111.3] | 6.38 [162.1] |
| 3/4 | 7.63 [193.8] | 3.38 [85.9] | 4.38 [111.3] | 6.38 [162.1] |
| 1 | 10.26 [260.6] | 3.38 [85.9] | 4.38 [111.3] | 6.38 [162.1] |
| 1 1/2 | 15.51 [393.9] | 3.38 [85.9] | 4.38 [111.3] | 6.38 [162.1] |



Engineering
Project Management
Manufacturing
Testing
Quality

**+50 YEARS
EXPERIENCE IN
THE AEROSPACE
INDUSTRY**

ARINC 404, 404A, 600, etc
MS14108
Mil-F-85731
Mil-STD 810
RTCA-DO/160
Mil-STD 167

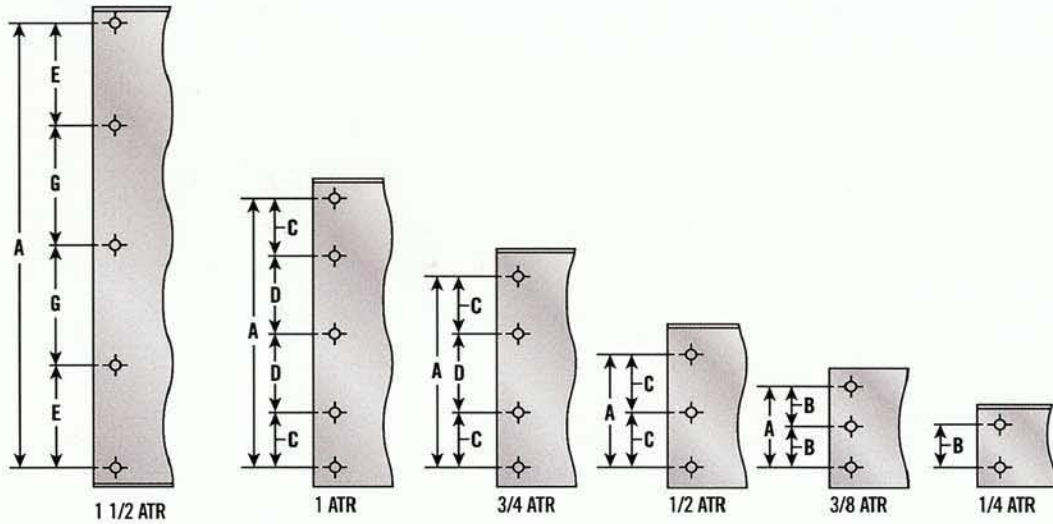


HUTCHINSON

Distributed by:

AEK Technology, Inc.
13041 Bradley Avenue
Sylmar, CA 91342 USA

P: 818 686-1445
F: 818 686-1448
www.aektechnology.com



| ATR Size | A | B | C | D | E | G |
|----------|---------------|-------------|-------------|-------------|-------------|-------------|
| 1/4 | — | 1.31 [33.3] | — | — | — | — |
| 3/8 | 2.62 [66.6] | 1.31 [33.3] | — | — | — | — |
| 1/2 | 3.94 [99.9] | — | 1.97 [49.9] | — | — | — |
| 3/4 | 6.56 [166.6] | — | 1.97 [49.9] | 2.62 [66.6] | — | — |
| 1 | 9.18 [233.2] | — | 1.97 [49.9] | 2.62 [66.6] | — | — |
| 1 1/2 | 11.43 [366.5] | — | — | — | 3.28 [83.3] | 3.93 [99.9] |



COMMERCIAL



VEHICLES



FIXED



IFE



HELICOPTER

Engineering
Project Management
Manufacturing
Testing
Quality

**+50 YEARS
EXPERIENCE IN
THE AEROSPACE
INDUSTRY**

ARINC 404, 404A, 600, etc
MS14108
Mil-F-85731
Mil-STD 810
RTCA-DO/160
Mil-STD 167



COMMERCIAL



MILITARY



ENGINEERED



ENCLOSURES



HARDWARE



HUTCHINSON

Distributed by:

AEK Technology, Inc.
13041 Bradley Avenue
Sylmar, CA 91342 USA

P: 818 686-1445
F: 818 686-1448
www.aektechnology.com