

6300 MOUNT SERIES

Small, low-profile, all-attitude elastomeric mounts for vibration and shock protection.

APPLICATIONS

- Airborne electronics and racking
- Ruggedized disk drives
- Electronic chassis
- Electric motors

FEATURES

- All attitude
- Low-cost
- Axial to radial stiffness of 1:1
- Compact, low-profile design

BENEFITS

- Compact size minimizes required mounting space
- Mounting permitted at any angle
- Fail-safe design captivates equipment even if elastomer is destroyed

LOAD RANGE

- 6300 = 4 load ratings to 11 lbs. per mount



Barry 6300 Series Mounts are designed for use either as an integral mount or isolation system for light to medium weight electronic equipment. Versions are available in Neoprene or Hi-Damp Silicone for MIL specifications.

Specifications

• Natural Frequency	15-40 Hertz (6300)
• Transmissibility at resonance	4.0 Max. (Hi-Damp Silicone) 10.0 Max. (Neoprene)
• Resilient Element	Hi-Damp Silicone or Neoprene
• Standard Materials	Varies with model
• Weight	6300 = 1.0 oz.

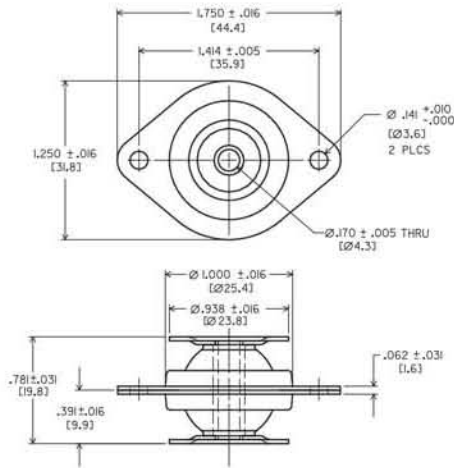
Environmental Data

- Hi-Damp Silicone is ideal for applications requiring greater damping, extreme temperature service and resistance to fungus and ozone. Operating temperature range is -67°F to +300°F (-55°C to +150°C).
- Neoprene operating temperature range is -20°F to +180°F (-30°C + 83°C) and is resistant to oil and ozone.

6300 MOUNT SERIES:

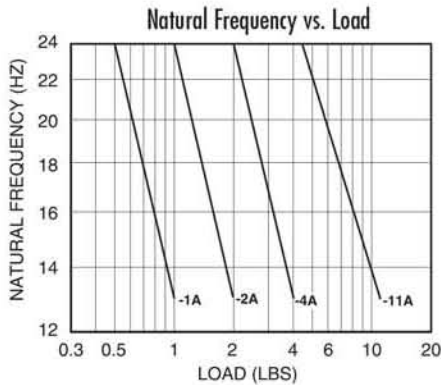
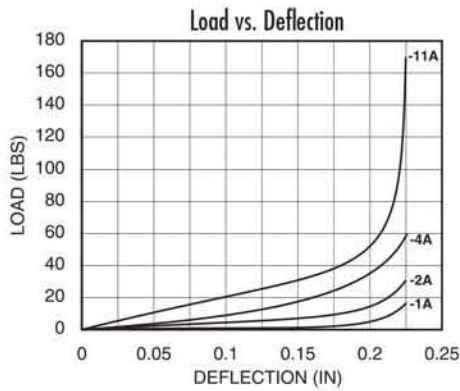
Dimensions & Performance Characteristics

SERIES 6300 DIMENSIONAL DRAWING



LOAD RATINGS			
Nat. Rubber	Hi-Damp	Neoprene	Max. Load/Mount (lbs.)
6300-1A	N6300-1A	6300-1NA	1
6300-2A	N6300-2A	6300-2NA	2
6300-4A	N6300-4A	6300-4NA	4
6300-11A	N6300-11A	6300-11NA	11

6300-A and 6300-NA Series Performance Data



N6300 Series Performance Data

