

5200 MOUNT SERIES (5200/5200HT)

Versatile all-attitude isolators for vibration and shock protection.

APPLICATIONS

- Airborne electronics and racking
- Ground transportation applications
- Severe random vibration environments
- Electric motors

FEATURES

- All-attitude mounting with rugged, fail-safe construction
- Axial to radial stiffness of 1:0.6
- Low profile mounts
- Wide range of load ratings for both stationary and mobile environments

BENEFITS

- Isolator provides effective vibration isolation in any attitude
- Fail-safe design captivates the mounted equipment even if the elastomeric elements should be destroyed

LOAD RANGE

- 4 load ratings to 50 lbs. per mount



Barry 5200 Series Mounts are for applications where protection is required from shock, vibration or noise. The fail-safe, low profile construction of 5200 Series Isolators are ideal for use where space is at a minimum.

Specifications

• Natural Frequency	15-40 Hertz
• Transmissibility at resonance	4.0 Max. (Hi-Damp Silicone) 10.0 Max. (Neoprene & Natural Rubber)
• Resilient Element	Hi-Damp Silicone, Neoprene, or Natural Rubber
• Standard Materials	Zinc plated steel
• Weight	5200 = 2.5 oz. 5200H = 3.5 oz.

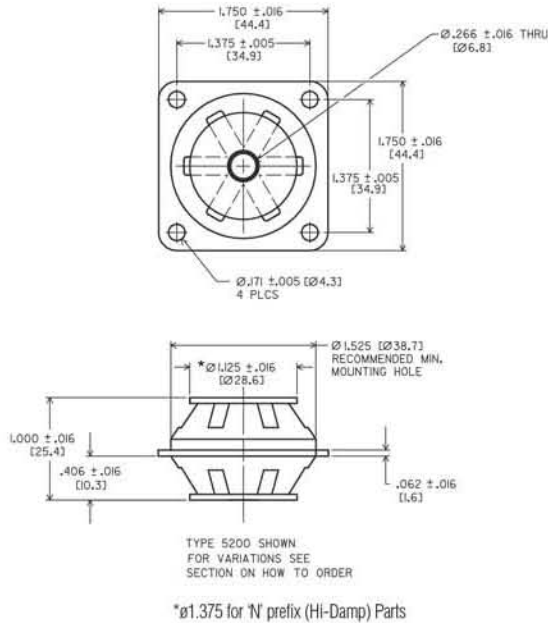
Environmental Data

- Hi-Damp Silicone version meets shock & vibration requirements of MIL-E-5400 with an operating temperature range of -67°F to +300°F (-55°C to +150°C).
- Neoprene version is available for use where temperature extremes are not encountered, but resistance to oil or ozone is required. Operational temperature range is -20°F to +180°F (-30°C to +83°C).

5200 MOUNT SERIES:

Dimensions & Performance Characteristics

5200 SERIES DIMENSIONAL DRAWING

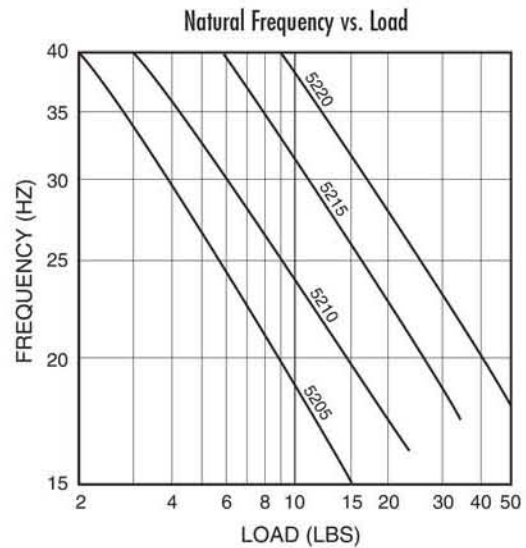
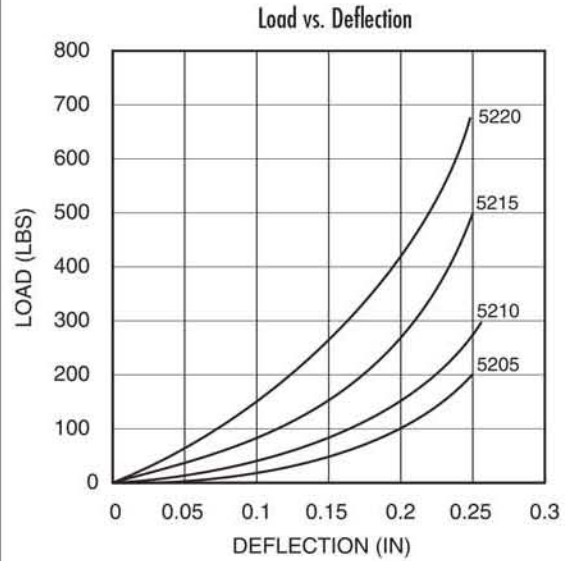


5200 SERIES LOAD RATINGS

Part #*	Maximum Load / Isolator (lbs.)	Maximum Load / Isolator (lbs.)
	- Stationary -	- Mobile -
5205	15	4 - 7
5210	25	8 - 11
5215	35	12 - 17
5220	50	18 - 30

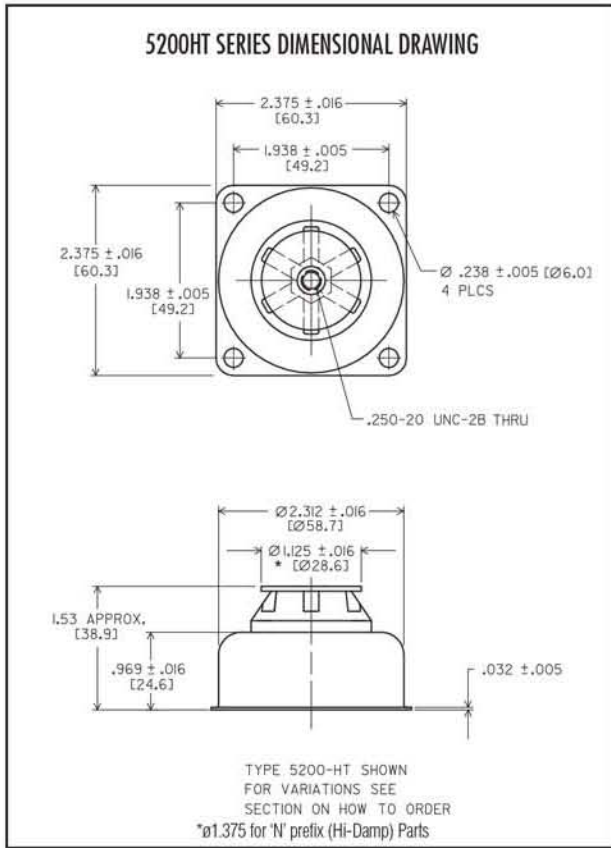
*Part Numbers shown above are basic numbers.
For complete part numbers please see page 193.

5200 Series Performance Data



5200 MOUNT SERIES: 5200HT

Dimensions & Performance Characteristics



HOW TO ORDER 5200 SERIES ISOLATORS

PLATE STYLE ISOLATORS (5200 SERIES)	CUP STYLE ISOLATORS (5200H SERIES)
<p>Letter N placed at beginning for Silicone Letter N placed at end for Neoprene (Absence of letter N indicates special natural rubber version)</p> <p><u>N</u> 5205-<u>T</u> <u>X</u> <u>N</u></p> <ul style="list-style-type: none"> • Use <u>T</u> for 1/4-20 UNC 2B threaded core • Leave <u>blank</u> for through hole • Use <u>X</u> for hex end of tapped core opposite 1.5 dia. ring • Use <u>Y</u> for hex end of tapped core on side nearest 1.5 dia. ring 	<p>Letter N placed at beginning for Silicone Letter N placed at end for Neoprene (Absence of letter N indicates special natural rubber version)</p> <p><u>N</u> 5205-<u>H</u> <u>T</u> <u>N</u></p> <ul style="list-style-type: none"> • <u>H</u> denotes cup-style version • Use <u>T</u> for 1/4-20 UNC 2B threaded core (hex is inside cup, opposite 1.5" dia. ring) • Leave <u>blank</u> for through hole

