

B-MOUNT SERIES (B22/B44/B64/B43)

All-attitude, highly damped mounts for protection of equipment from vibration, shock during steady-state acceleration.

APPLICATIONS

- Avionics in high performance aircraft
- Electronics in transportable shelters
- Mobile ground equipment

FEATURES

- Low resonant transmissibility
- Metal spring with friction damping
- All-attitude mounting
- Aluminum or stainless steel outer cup and core
- Fail safe construction
- Axial to radial stiffness of 1:1

BENEFITS

- Continuous isolation even under loads of up to 5g's
- Interchangeable with MIL size counterparts

LOAD RANGE

- B21/22 = 4 ratings to 3 lbs. per mount
- B43/44 = 5 ratings to 10 lbs. per mount
- B64 = 4 ratings to 40 lbs. per mount



Barry B-Mounts provide shock and vibration isolation for avionic equipment in high performance aircraft. They feature low resonant transmissibility and isolate high frequency vibration without snubbing during high "g" maneuvers.

Specifications

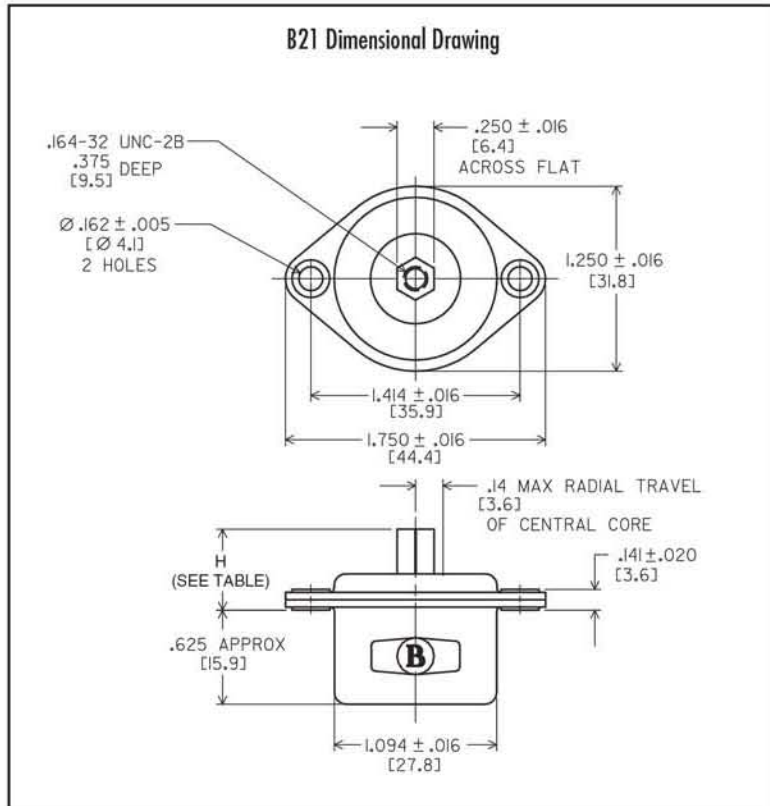
• Natural Frequency	15-30 Hertz
• Transmissibility at resonance	3.0 Max.
• Resilient Element	Friction damped spring
• Standard Materials	Varies w/model
• Weight	See Tables

Environmental Data

- Operating temperature range -85°F to +250°F (-65°C to +120°C).
- Meets strength, corrosion resistance and environmental requirements of MIL-E-5272, MIL-E-5400 and MIL-STD-810.

B-MOUNT SERIES: B21

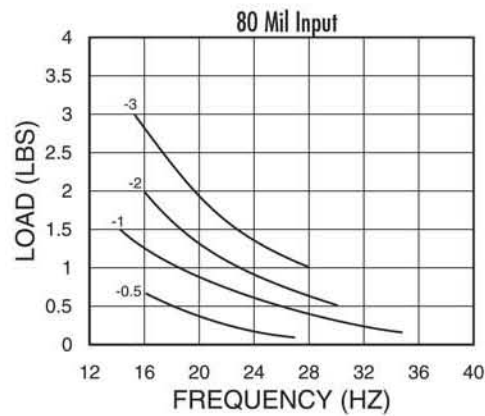
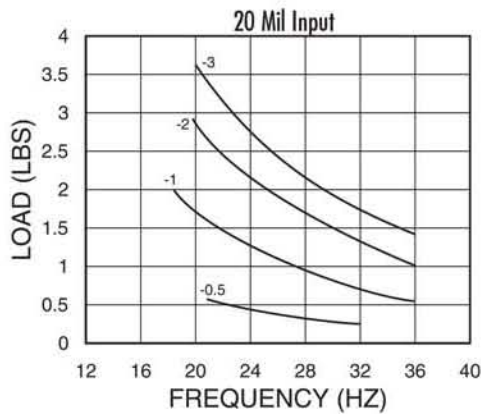
Dimensions & Performance Characteristics



B21 SERIES "H" DIMENSION

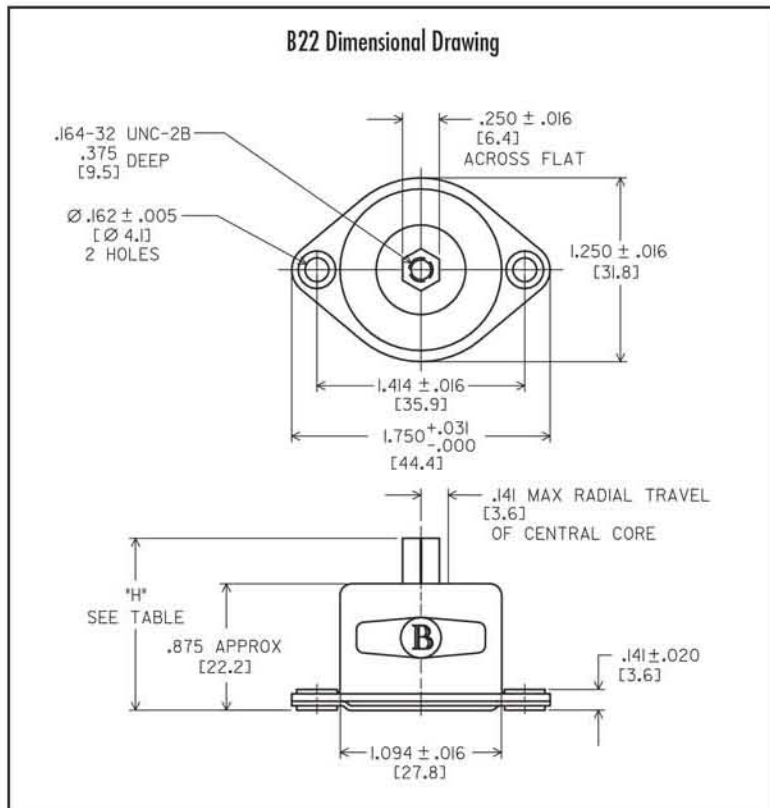
Compressed	.266
Approx. Free	.547
Max. Extended	.813

B21 Load vs. Natural Frequency

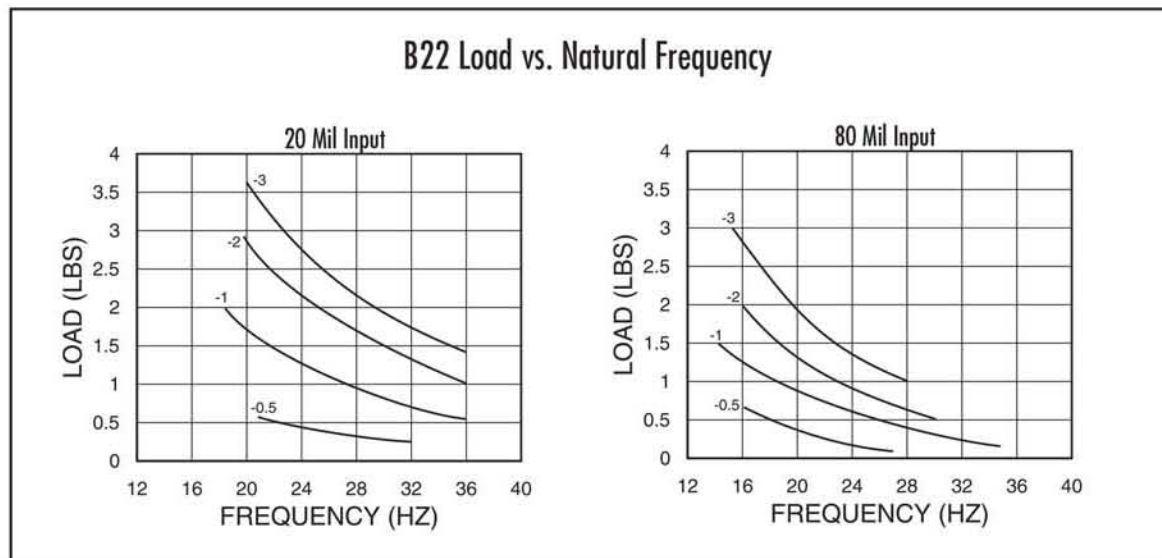


B-MOUNT SERIES: B22

Dimensions & Performance Characteristics

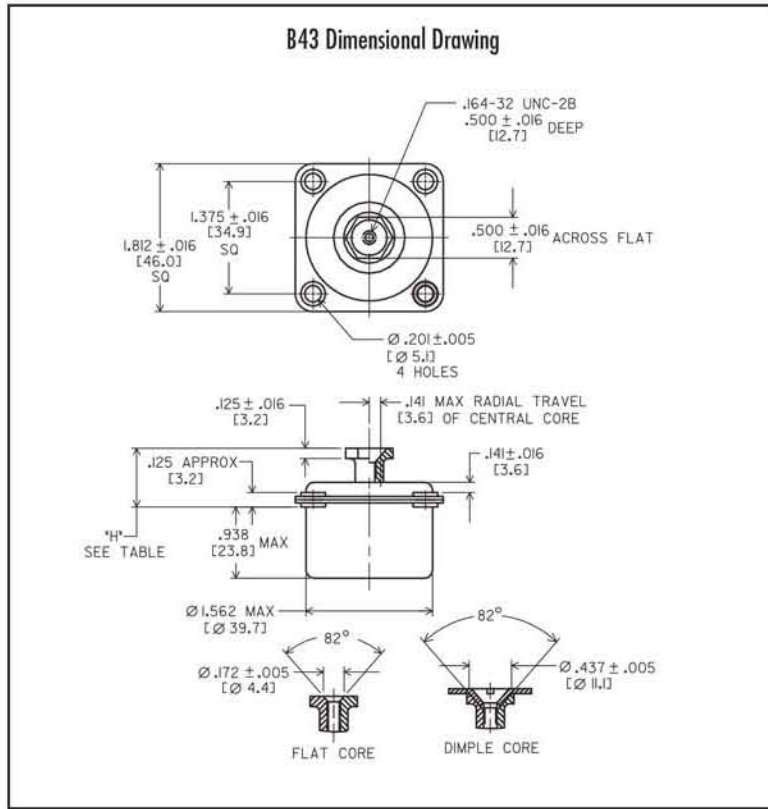


B22 SERIES "H" DIMENSION	
Compressed	.891
Approx. Free	1.172
Max. Extended	1.438

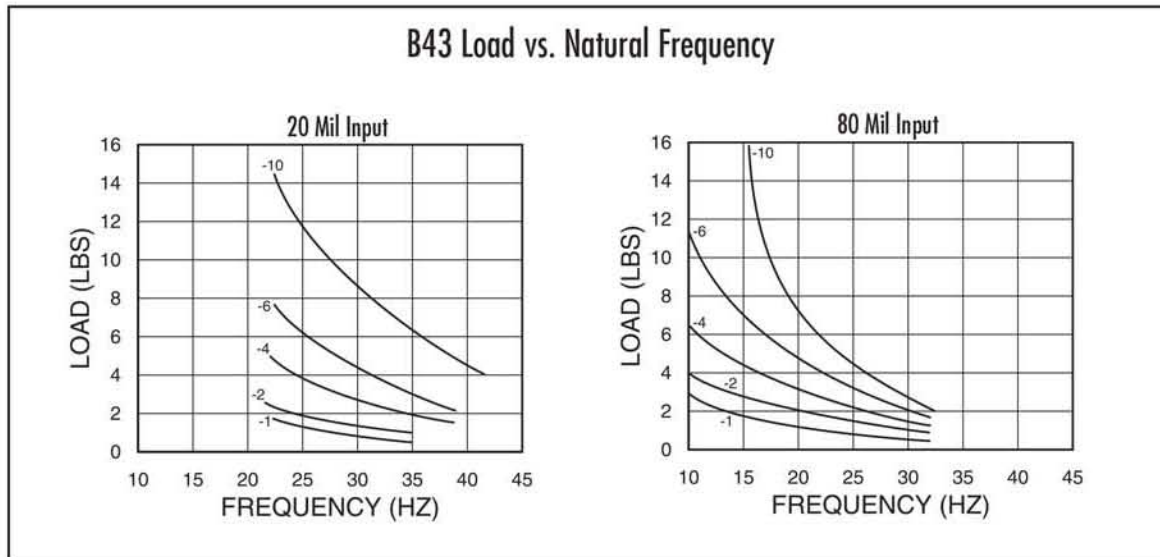


B-MOUNT SERIES: B43

Dimensions & Performance Characteristics

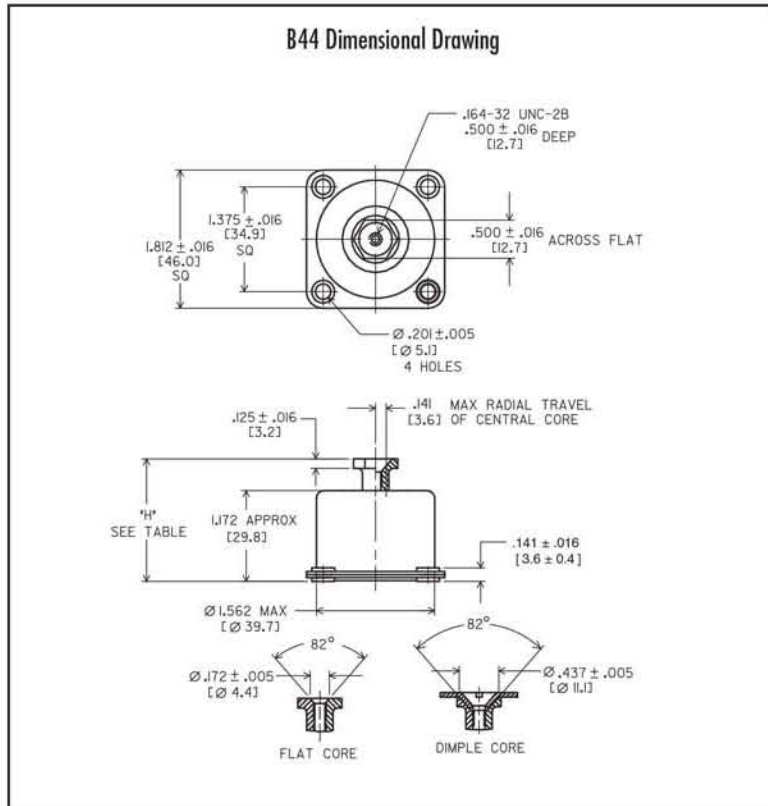


B43 SERIES "H" DIMENSION	
Compressed	.344
Approx. Free	.672
Max. Extended	.953



B-MOUNT SERIES: B44

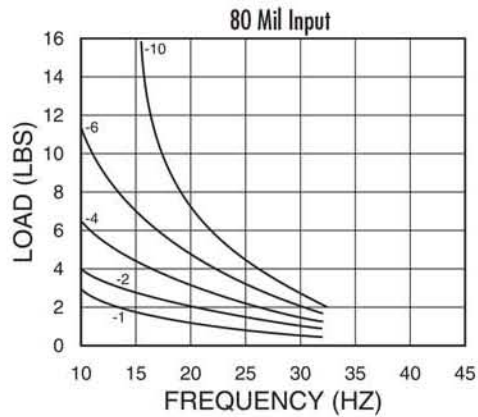
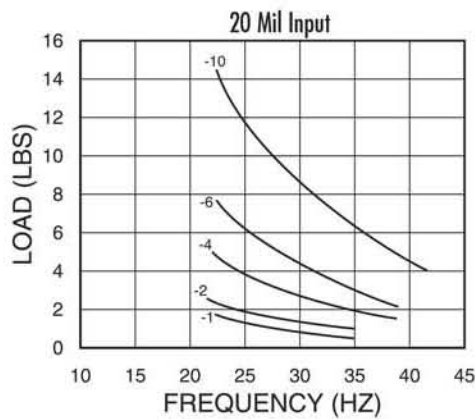
Dimensions & Performance Characteristics



B44 SERIES "H" DIMENSION

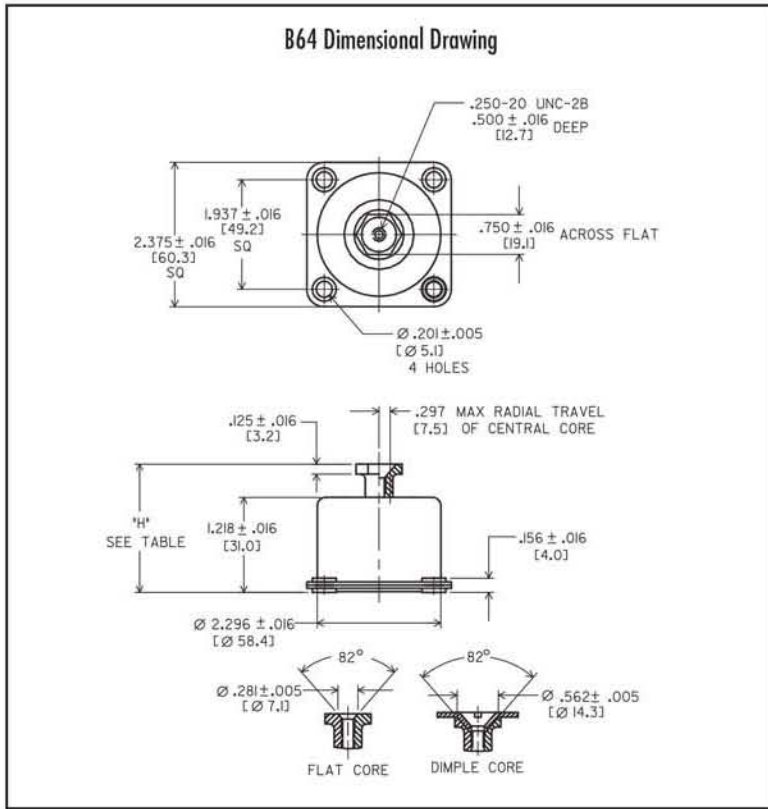
Compressed	1.328
Approx. Free	1.578
Max. Extended	1.858

B44 Load vs. Natural Frequency

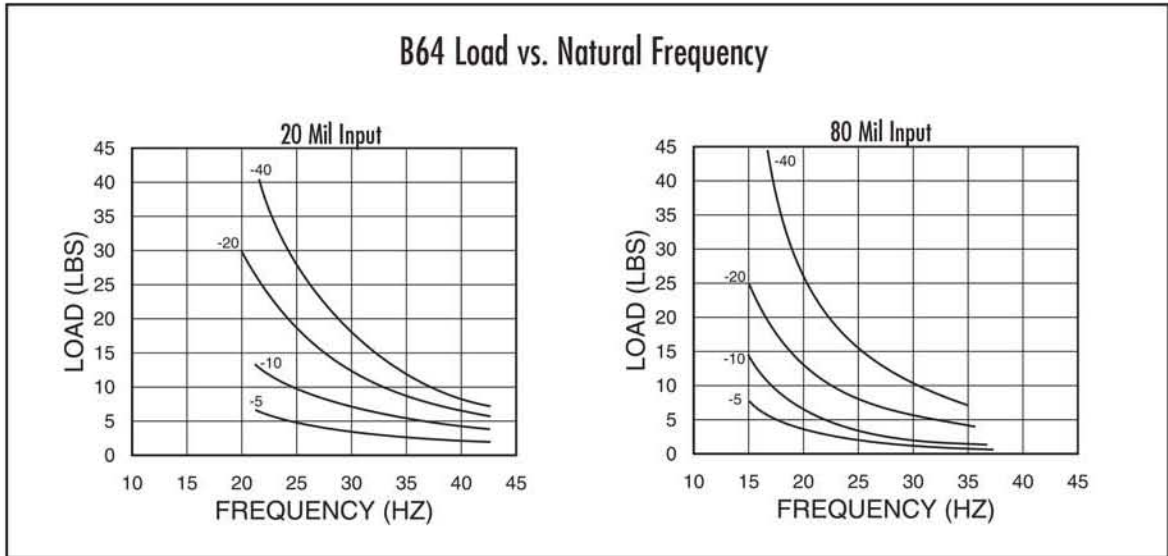


B-MOUNT SERIES: B64

Dimensions & Performance Characteristics



B64 SERIES "H" DIMENSION	
Compressed	1.312
Approx. Free	1.531
Max. Extended	1.828



B-MOUNT SERIES:

Load Range (B-Series) & "H" Dimensions

CUP TYPE					
Flat Core	Dimple Core	Height	Max. S.A Def.	Weight	Max. Static Load
B22-BC-0.5 B22-BC-1.0 B22-BC-2.0 B22-BC-3.0	Not Available	1.17"	.25"	.05 lbs.	0.5 lbs. 1.0 lbs. 2.0 lbs. 3.0 lbs.
B44-EB-1 B44-EB-2 B44-EB-4 B44-CB-6 B44-CB-10	B44-DB-1 B44-DB-2 B44-DB-4 B44-BB-6 B44-BB-10	1.58"	.25"	.16 lbs.	1.0 lbs. 2.0 lbs. 4.0 lbs. 6.0 lbs. 10.0 lbs.
B64-CB-5 B64-CB-10 B64-CB-20 B64-CB-40	B64-BB-5 B64-BB-10 B64-BB-20 B64-BB-40	1.53"	.25"	.44 lbs.	5.0 lbs. 10.0 lbs. 20.0 lbs. 40.0 lbs.
PLATE TYPE					
B21-BC-0.5 B21-BC-1.0 B21-BC-2.0 B21-BC-3.0	Not Available	.55"	.25"	.05 lbs.	0.5 lbs. 1.0 lbs. 2.0 lbs. 3.0 lbs.
B43-EB-1 B43-EB-2 B43-EB-4 B43-CB-6 B43-CB-10	B43-DB-1 B43-DB-2 B43-DB-4 B43-DB-6 B43-DB-10	.67"	.25"	.16 lbs.	1.0 lbs. 2.0 lbs. 4.0 lbs. 6.0 lbs. 10.0 lbs.

