

7001 & 7002 SERIES

7001 SERIES 5 LOAD RATINGS TO 10 LBS/MOUNT
7002 SERIES 17 LOAD RATINGS TO 75 LBS/MOUNT

All-metal unit isolators protect sensitive equipment from vibration and resist adverse environmental conditions

| | |
|-------------------------------|--|
| Natural Frequency (Nominal) | 7-9 Hz. vertical |
| Transmissibility at Resonance | 4.0 Max. |
| Resilient Element | Metal Mesh |
| Standard Material | Aluminum |
| Operating Temperature Range | -130°F to +375°F (-90°C to +190°C) |
| Weight | 2.1 oz. (7001 Series) 4.5 oz. (7002 Series) |

Applications

- Airborne electrical, pneumatic, and hydraulic equipment
- Laboratory equipment
- Industrial equipment
- Office equipment
- 7001 Series inner member is made of anodized aluminum alloy. Wrench flats facilitate installation.
- 7002 Series inner member is stainless steel.
- Housings and base plates of both series are of rugged, lightweight, satin-finish aluminum.
- Stainless steel load spring and other stainless steel parts are passivated

Features

- Axial-to-radial stiffness ratio of approximately 4:1 (7001)
- Axial-to-radial stiffness ratio of approximately 5:1 (7002)
- Excellent vibration isolation
- Gradual snubbing of shock overloads

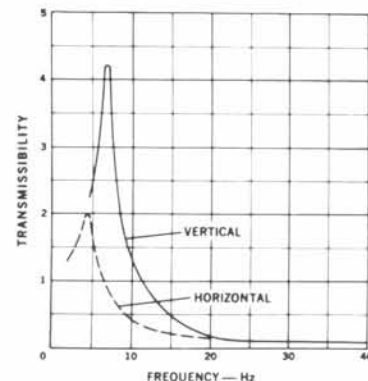
Environmental Data

- MET-L-FLEX[®] cushions are stainless steel
- All-metal design resists adverse environments and exposure to oil, dust, water, ozone, atmospheric pressure changes or extreme cold/heat
- Operating temperature range of -130°F to +375°F (-90°C to +190°C)
- Applicable to Military Standards

7001



7002



Typical Transmissibility Vs Frequency Curve 7001 and 7002 Series

Installation Data

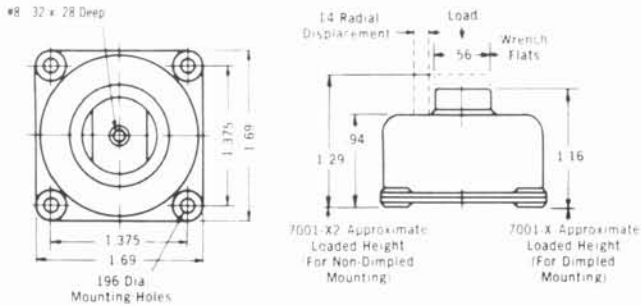
- No special tools, hardware, or fixtures are required
- Center core is tapped with standard sized thread
- Base plate provided with four eyeletted through-holes

7001 & 7002 SERIES

DIMENSIONS & PERFORMANCE CHARACTERISTICS

7001 SERIES

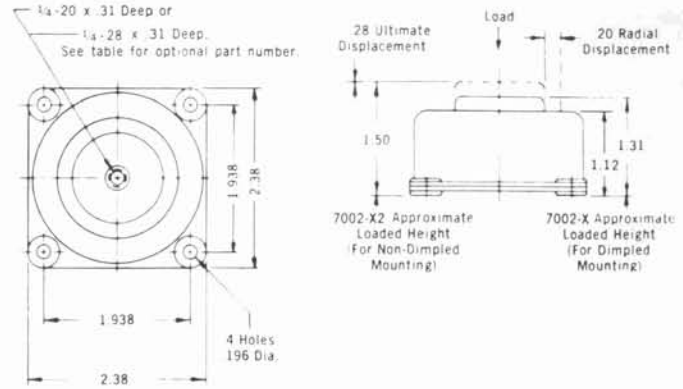
Load range: .5 to 10 lbs.



Tolerances unless otherwise specified are:
 .XX = ± .03 .XXX = ± .010

7002 SERIES

Load range: 1.5 to 75 lbs. See table below.



Tolerances unless otherwise specified are:
 .XX = ± .03 .XXX = ± .010

LOAD RANGE

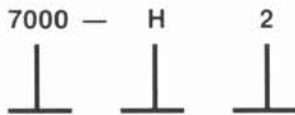
| Code | Min. | Max. |
|------|------|-------|
| - H | .50 | 1.00 |
| - J | .75 | 1.75 |
| - K | 1.50 | 3.00 |
| - L | 2.50 | 5.50 |
| - M | 5.00 | 10.00 |

CROSS REFERENCE TABLE SERIES 7002 TO APPLICABLE MIL-C-172 STANDARD PART NUMBERS

| LOAD RATINGS | PART NUMBERS | | MILITARY STANDARD PART NUMBERS* | | | |
|---|--|---|---|---|---|---|
| Minimum and maximum static load in pounds | Series 7002-X for dimpled mounting 1/20 UNC-28 threads | Series 7002-K2 (Hi-Stud) for non-dimpled mounting 1/20 UNC-28 threads | Series MS91418-2XXL for dimpled mounting 1/20 UNC-28 threads per MIL-C-172C | Series MS91418-2XXS (Hi-Stud) for non-dimpled mounting 1/20 UNC-28 threads per MIL-C-172C | Series MS91527-2XXD for dimpled mounting 1/20 UNF-28 threads per MIL-C-172C | Series MS91527-2XXH (Hi-Stud) for non-dimpled mounting 1/28 UNF-28 threads per MIL-C-172C |
| 1 1/2 — 2 1/4 | 7002 - G | 7002 - G2 | | | | |
| 2 1/2 — 6 | 7002 - H | 7002 - H2 | | | | |
| 3 | | | MS91418 - 2BBL | MS91418 - 2BBS | MS91527 - 2BBD | MS91527 - 2BBH |
| 3 — 5 | | | MS91418 - 2ABL | MS91418 - 2ABS | MS91527 - 2ABD | MS91527 - 2ABH |
| 4 | | | MS91418 - 2BCL | MS91418 - 2BCS | MS91527 - 2BCD | MS91527 - 2BCH |
| 4 1/2 — 10 | 7002 - J | 7002 - J2 | MS91418 - 2ACL | MS91418 - 2ACS | MS91527 - 2ACD | MS91527 - 2ACH |
| 5 1/2 | | | MS91418 - 2BDL | MS91418 - 2BDS | MS91527 - 2BDD | MS91527 - 2BDH |
| 5 1/2 — 12 1/2 | 7002 - K | 7002 - K2 | | | | |
| 6 1/4 — 12 1/2 | | | MS91418 - 2ADL | MS91418 - 2ADS | MS91527 - 2ADD | MS91527 - 2ADH |
| 7 1/2 | | | MS91418 - 2BEL | MS91418 - 2BES | MA91527 - 2BED | MS91527 - 2BEH |
| 10 | | | MS91418 - 2BFL | MS91418 - 2BFS | MS91527 - 2BFD | MS91527 - 2BFH |
| 10 — 20 | 7002 - L | 7002 - L2 | MS91418 - 2AEL | MS91418 - 2AES | MS91527 - 2AED | MS91527 - 2AEH |
| 13 1/2 | | | MS91418 - 2BGL | MS91418 - 2BGS | MS91527 - 2BGD | MS91527 - 2BGH |
| 15 — 30 | 7002 - U | 7002 - U2 | | | | |
| 18 — 40 | 7002 - M | 7002 - M2 | | | | |
| 18 — 40 | 7002 - M | 7002 - M2 | | | | |
| 35 — 50 | 7002 - P | 7002 - P2 | | | | |
| 45 — 75 | 7002 - R | 7002 - R2 | | | | |

* Isolators bearing an "MS" designation have been qualified to MIL-C-172C. Those with 7002 Series designation have equivalent performance characteristics.

How To Order 7001 & 7002 Series Isolators



Basic Model Number Code for Load Rating Add "2" if 1.3" higher inner member is required for attachment of the isolator directly to the equipment or to an equipment mounting tray without dimples.

If MIL-C-172C-qualified 7002 Series isolators are required, order by Barry part number and reference applicable MS designation as shown in the adjacent table.