

1201/1202 SERIES

1201 SERIES 3 RATINGS TO 10 LBS/MOUNT
 1202 SERIES 4 RATINGS TO 40 LBS/MOUNT

Small, lightweight metal-mesh isolators for airborne, vehicular, and industrial applications

Natural Frequency (Nominal)	15-20 Hz.
Transmissibility at Resonance	3.0 to 4.0
Resilient Element	Metal mesh
Standard Materials	Aluminum
Operating Temperature Range	-130°F to +375°F (-90°C to +190°C)
Weight	1.5 oz. (1201) 4.2 oz. (1202)

Applications

- Sensitive instrumentation and laboratory equipment
- Airborne equipment
- Packaging
- Shipboard electronics
- Automatic controls
- Electric, hydraulic, and pneumatic equipment

Features

- Inherent high damping
- Non-linear deflection characteristics
- Axial-to-radial stiffness ratio of 3:1
- Uniform performance over a wide load range
- Excellent stability

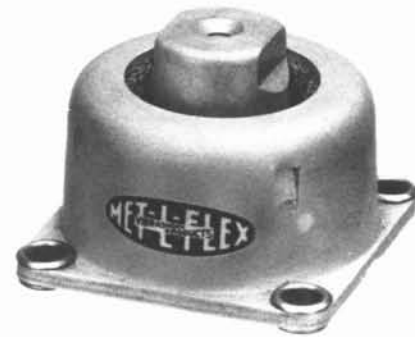
Environmental Data

- Operating temperature range -130°F to +375°F (-90°C to +190°C)
- Applicable to Military Standards
- Resistant to oils and oil-based solvents, salt water, sand and dust

Installation Data

- No special tools or hardware required
- Through-holes provided in base plate
- Tapped center core accommodates a standard bolt
- Wrench flat facilitates installation for 1201 Series

1201



1202



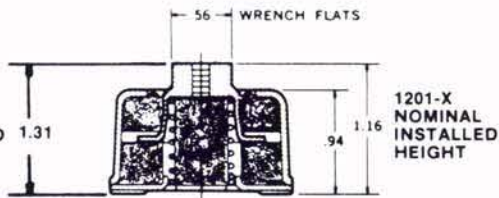
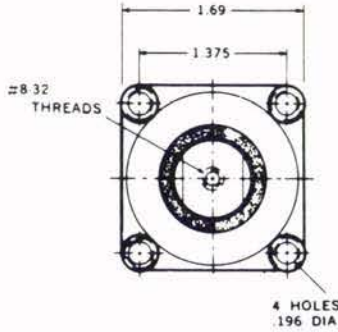
LOAD RATING

Dimpled Mounting	Non-Dimpled Mounting	Load Rating (lbs.)
1201-1	1201-1A	1 to 3
1201-2	1201-2A	2½ to 5½
1201-3	1201-3A	5 to 10
1202-1	1202-1A	2½ to 6
1202-2	1202-2A	5½ to 12½
1202-3	1202-3A	10 to 20
1202-4	1202-4A	18 to 40

1201/1202 SERIES

DIMENSIONS & PERFORMANCE CHARACTERISTICS

1201 SERIES



1202 SERIES

